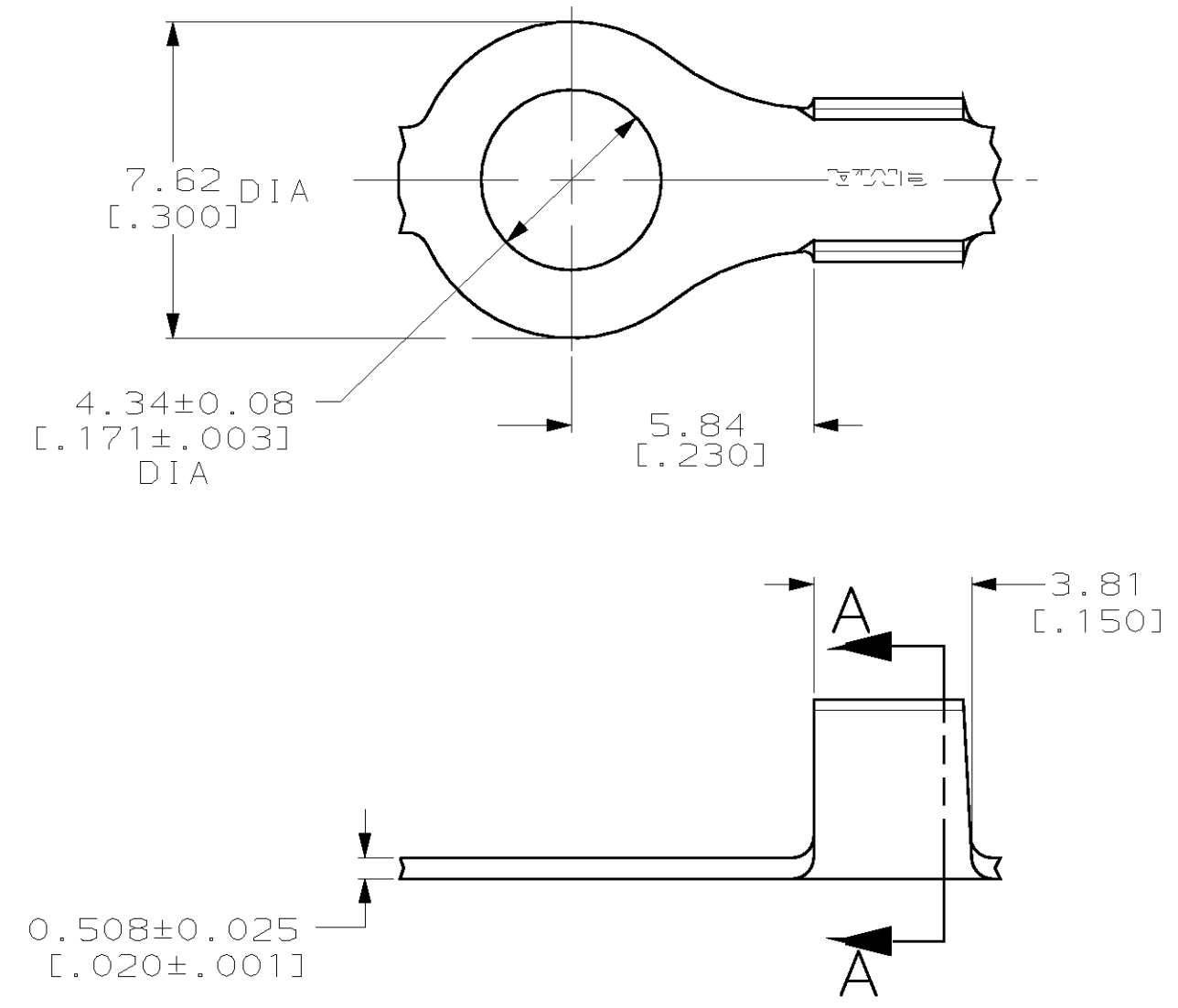
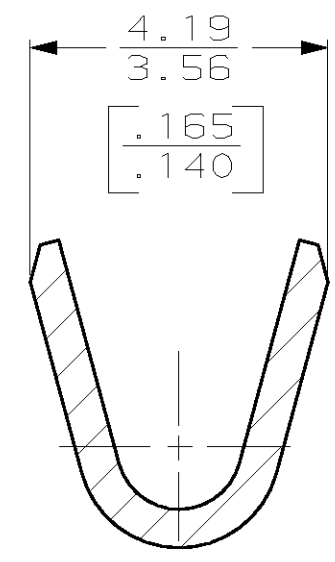


THIS DRAWING IS UNPUBLISHED. RELEASED FOR PUBLICATION ,19 .
 © COPYRIGHT 19 BY AMP INCORPORATED. ALL RIGHTS RESERVED.

LOC		DIST		REVISIONS			
P	LTR	DESCRIPTION		DATE	DWN	APVD	
AF	50	E		REVISED PER 0G3A-0271-02	19AUG02	MF	DD



1 CONTINUOUS STRIP ON REEL.



SECTION A-A
SCALE 10:1

[18-14] AWG	41346	
WIRE RANGE	PART NUMBER	
AMP Incorporated Harrisburg, PA 17105-3608		
NAME		
TERMINAL, RING		
SIZE	CAGE CODE	DRAWING NO
A3	00779	C-41346
SCALE 6:1		SHEET 1 OF 1
REV E		

THIS DRAWING IS A CONTROLLED DOCUMENT.		DWN	02/AUG/96
		CHK	02/AUG/96
		APVD	02/AUG/96
		PRODUCT SPEC	
		APPLICATION SPEC	
		WEIGHT	-
CUSTOMER DRAWING			

DIMENSIONS:	TOLERANCES UNLESS OTHERWISE SPECIFIED:
mm [inches]	
	0 PLC ±-
	1 PLC ±-
	2 PLC ±0.25 [.010]
	3 PLC ±-
	4 PLC ±-
	ANGLES ±-
MATERIAL T3 STEEL	FINISH NICKEL